

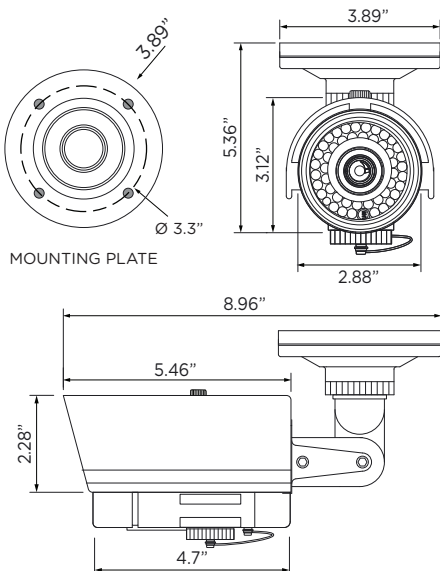
CE-VF775IR Outdoor IR Bullet Camera



INFO:

- 1/3" SONY 1.3 Megapixel CMOS Exmor Sensor
- 1,000 TVL Resolution
- 42 IR LEDs
- 2.8-12mm (F1.4) Lens (Externally Adjustable)
- S7 Digital Signal Processor (DSP)
- OSD Menu Control via CE-REMOTE
- 3 Axis Adjustment
- IP67 Weather Rated
- Cable Through Bracket Design with Mounting Plate
- DC12V/AC24V
- UL Listed

DIMENSIONS:



SPECIFICATIONS:

Camera	
Image Sensor	1/3" SONY 1.3 Megapixel CMOS Exmor Sensor
Resolution	1,000 TVL
Effective Pixels	1305 (H) x 1049 (V), 1.37M Pixels
Scanning System	Progressive
S/N Ratio	52dB
Sync System	Internal
Minimum Illumination	0.00001 Lux (Sens-Up x64)
Shutter Speed	1/60 - 1/60,000 sec.
Dynamic Range	N/A
Lens	2.8-12mm (F1.4) Lens (Externally Adjustable)
Video Output	1.0 Vp-p, 75Ω
Frequency	Horizontal: 15.734 KHz, Vertical: 59.94 Hz
Power Consumption	Max. 750mA (DC12V), Max. 260mA (AC24V)
Power Requirement	DC12V / AC24V
Operating Temperature	-20°F - 122°F / -28°C - 50°C
Operating Humidity	90% RH Max.
Weather Rating	IP 67
IR LEDs	42 IR LEDs
Heaters/Fan	N/A
Materials	Aluminum
Dimensions	8.96" (L) x 5.36" (H) / 227.58mm (L) x 136.14mm (H)
Weight	3.2 lbs / 1,451.49g
OSD	
DSP Type	S7
Menu Control	OSD Menu Control via Built-In Joystick or CE-REMOTE
Exposure	Brightness, Shutter, AGC
Sens-Up	Yes (x2 - x64)
White Balance	ATW, AWB, AWC-Set, Manual
Digital Dynamic Range	Yes
Backlight Control	BLC, HLC, WDR
Day/Night	Auto, Color, B&W, External
Noise Reduction	3DNR
Camera Title/ID	N/A
Sync	N/A
Monitor	View Angle (4:3 / 16:9)
Motion Detection	(Intelligent) 4 Zones
Privacy Masking	15 Zones
Digital Image Stabilization	N/A
Dead Pixel Control	N/A
Digital Effects	Digital Zoom, D-WDR, Defog, Image Flip
Languages	English, Chinese, Japanese, Korean
Other	Sharpness, Gamma, Pedestal, Color Gain

CERTIFICATIONS:

