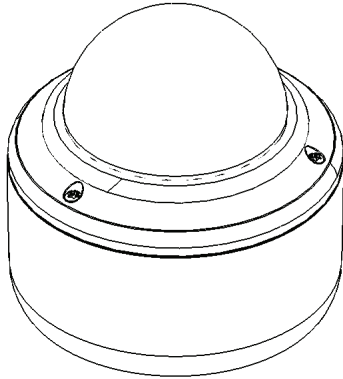


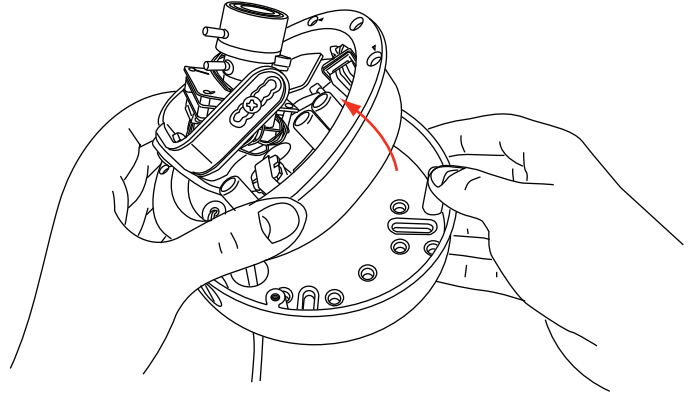
# CE-VXDC / CE-VXDCB

## INSTALLATION GUIDE

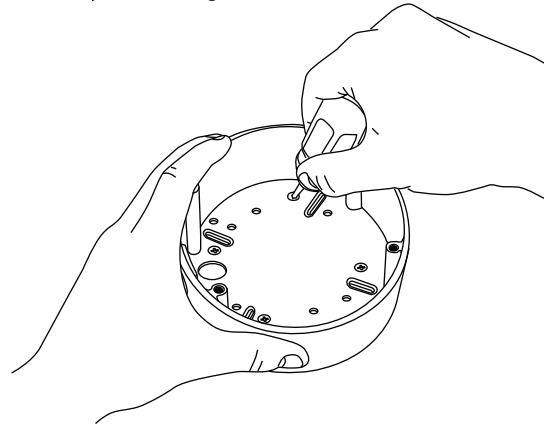


### 2. Mounting the Camera

Remove the camera assembly from the camera base as shown below. Set this base aside. You will not need this base when using the Deep Case.



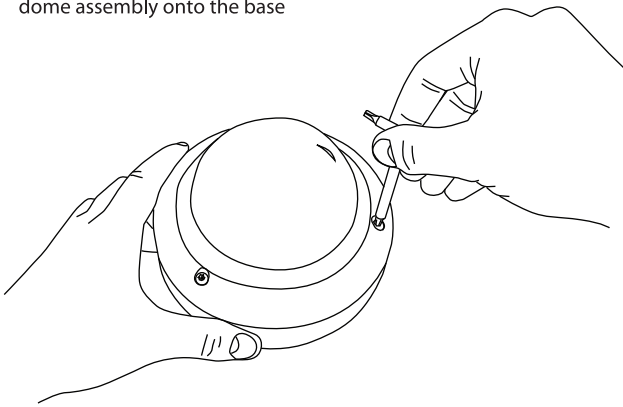
Secure the Deep Case to the desired location using the appropriate type of fastener for your mounting surface.



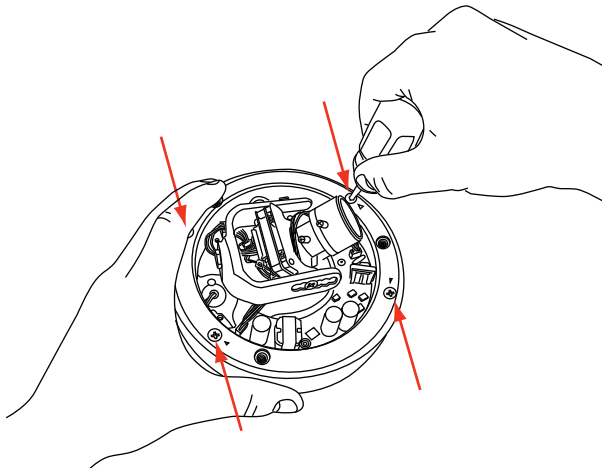
### Installing the Vandal X Dome Camera using the Deep Case:

#### 1. Opening the Case

Use the supplied Torx wrench to remove the 3 Torx screws that hold the dome assembly onto the base



Locate and remove the 4 Phillips head screws that hold the inner case onto the camera base. Note: Arrowheads indicate screw location.

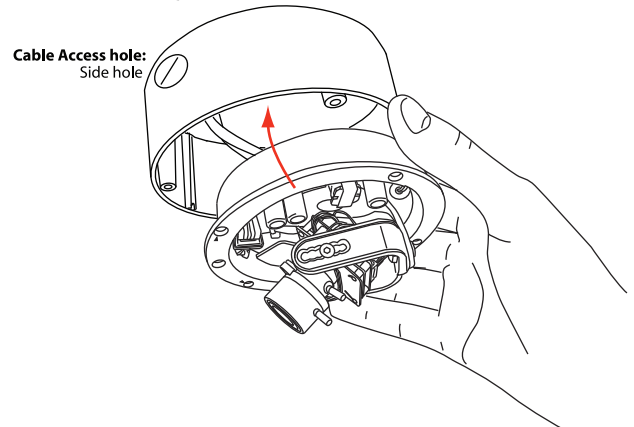


#### 3. Reassemble the Camera

Feed the power and video cables through the bottom or side cable routing hole and replace the camera assembly into the mounting base as shown below.

**Cable Access hole:**  
Wall hole (through back of plate)

**Cable Access hole:**  
Side hole



**CLINTON Electronics**

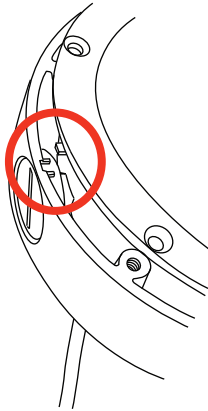
CLINTON Electronics  
6701 Clinton Road  
Loves Park, IL 61111

1.800.447.3306 Sales  
1.800.549.6393 Support  
1.800.633.8712 Fax

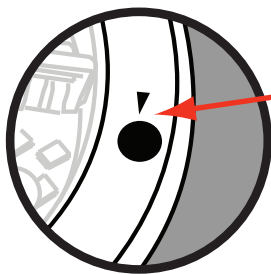
[www.clintonelectronics.com](http://www.clintonelectronics.com)

### 3. Reassemble the Camera...continued

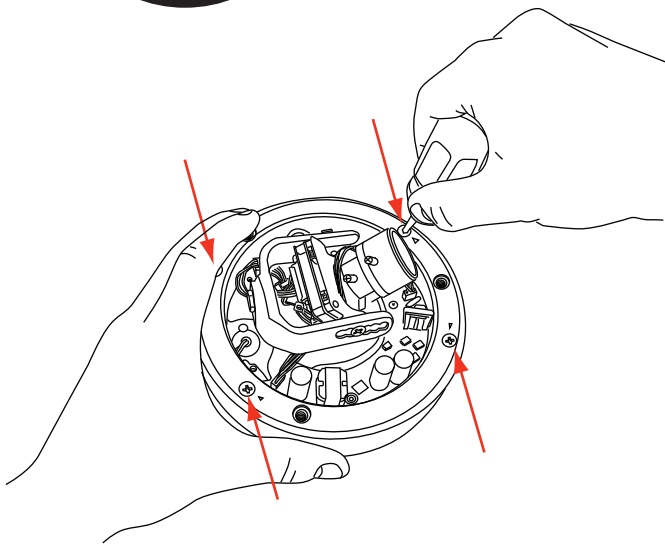
Align the tab with the slot when reassembling.



Replace the four screws that hold the camera assembly to the base.  
Note: Arrowheads indicate screw location.



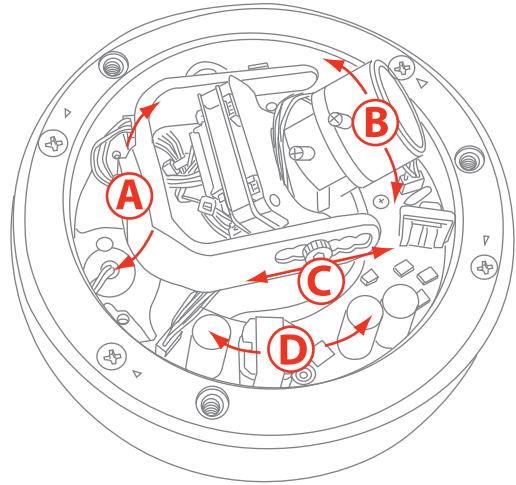
Arrowhead indicates  
screw location.



## Adjustment:

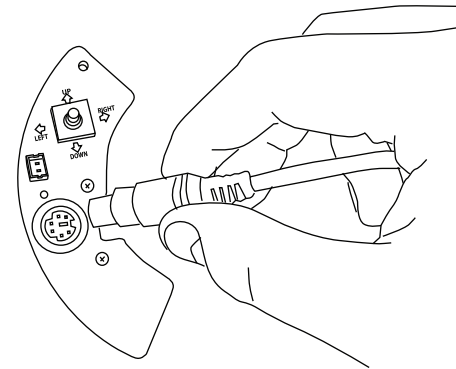
The Vandal X Dome Camera has four position adjustments:

- A. Barrel rotation
- B. Lens angle
- C. Lateral adjustment (loosen thumb screws on each side to adjust)
- D. Camera plate rotation (pinch the camera bracket by each thumb screw to rotate clockwise or counterclockwise)



## Testing:

Before replacing the dome cover you may wish to test the camera with a test monitor. To test, plug in the CE-REMOTE into the DIN connection shown below and connect your test monitor to the BNC connection located on the CE-REMOTE cable. Refer to camera manual for detailed OSD adjustment settings.



*Note: Not all Vandal X Dome Cameras support this function. Refer to specification for OSD Adjustment & Test Monitor Connection compatibility.*

Tighten the 3 Torx screws that hold the dome cover onto the base to complete installation. Make sure that each screw is tight to ensure superior weather resistance.

