

CE-RMCK Indoor Recess Mount Kit for VX Cameras

⚠ CAMERA NOT INCLUDED ⚠



INFO:

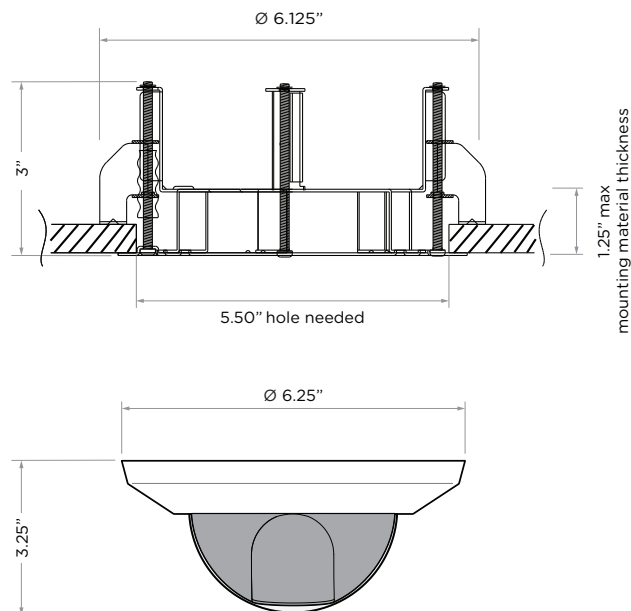
- Compatible with all Vandal X Cameras (sold separately)
- Dome Cover Attaches with High-Strength Magnets
- Includes Optional Safety Cable
- Screw Activated Wings Grasp onto Mounting Material
- Mounts to Material up to 1.25" Thickness
- Use 5-1/2" Hole Saw for Material Cutout
- 3" Installation Depth Required (After Cutout)
- For Indoor Use Only, Not IP68 Weather Rated

SPECIFICATIONS:

ASSEMBLY	
Weather Rating	N/A (Indoor Use Only!)
Materials	Camera: Plastic Housing w/Polycarbonate Dome Recess Mount: Steel
Dimensions (Installed)	6.25" (Dia.) x 3.25" (H) / 121.9mm (Dia.) x 93.9mm(H)
Weight (no camera)	0.7 lbs / 0.32 kg

COMPATIBLE VANDAL X CAMERAS (REQUIRED)	
CE-VX15	600 TVL, White
CE-VX15B	600 TVL, Black
CE-VX20	700 TVL, UL Listed, White
CE-VX20B	700 TVL, UL Listed, Black
CE-VX30	700 TVL, TDN, 33 IR LEDs, UL Listed, White
CE-VX30B	700 TVL, TDN, 33 IR LEDs, UL Listed, Black
CE-VX40	1,000 TVL, TDN, UL Listed, White
CE-VX40B	1,000 TVL, TDN, UL Listed, Black
CE-VX45	1,000 TVL, TDN, Heaters+Fan, UL Listed, White
CE-VX45B	1,000 TVL, TDN, Heaters+Fan, UL Listed, Black
CE-VX50	1,000 TVL, TDN, 33 IR LEDs, UL Listed, White
CE-VX50B	1,000 TVL, TDN, 33 IR LEDs, UL Listed, Black
CE-VX60	1,000 TVL, TDN, 6-50mm Lens, UL Listed, White
CE-VX60B	1,000 TVL, TDN, 6-50mm Lens, UL Listed, Black
CE-VX70	800 TVL, TDN, WDR, UL Listed, White
CE-VX70B	800 TVL, TDN, WDR, UL Listed, Black
CE-VX1HD	1080p, HD-SDI/EX-SDI, TDN, White
CE-VX1HDB	1080p, HD-SDI/EX-SDI, TDN, Black
CE-VX2HD	1080p, HD-SDI/EX-SDI, TDN, 33 IR LEDs, White
CE-VX2HDB	1080p, HD-SDI/EX-SDI, TDN, 33 IR LEDs, Black

DIMENSIONS:



CERTIFICATIONS:

