

CE-BZ1QHDB

4MP EX-SDI 2.0 True D/N IR Zoom Bullet

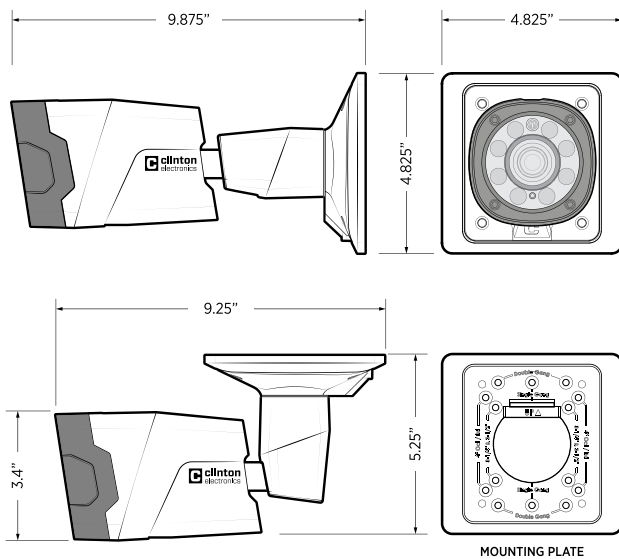


CE-BZ1QHDB
(Blk)

KEY FEATURES:

- 1/2.9" SONY Starvis 6.2MP CMOS Sensor (Cropped to 4MP)
- 1440p @ 30fps Over RG59 Coax
- 2.8-12mm (f1.4) True D/N Autofocus Lens
- 4MP EX-SDI 2.0 / 2MP EX-SDI 2.0 & HD-SDI & HD Analog output
- EXHD 2.0 - 4MP DSP
- OSD Menu Control via CE-REMOTE* or UCC**
- DOL-WDR @ 30fps w/ Simultaneous Analog Output
- Included Mounting Plate installs to most Conduit Boxes
- Single-Bolt Locks in 3-Axis Adjustments
- RVM*** (Rated Voltage Monitoring)
- DC12V/AC24V
- IP68 Weather Rated

DIMENSIONS:



CAMERA	
Image Sensor	1/2.9" SONY Starvis 6.2MP CMOS Sensor (Cropped to 4MP)
Resolution	Full HD 1080p
Effective Pixels	2560 (H) x 1440 (V)
Scanning System	Progressive Scan
S/N Ratio	More than 52dB (AGC Off)
Frame Rate	1440p_30 / 1080p_30 / 720p_30
Minimum Illumination	1 Lux (COLOR) 0.1 Lux (B&W)
Shutter Speed	1/30 - 1/30,000 sec. / AUTO
Lens	2.8-12mm (f1.4) Autofocus True D/N Lens
Filed of View	71° - 25.7° (Horizontal)
Video Output	(4MP) EX-SDI: 1440p @ 30fps (2MP) EX-SDI 2.0 / EX-SDI / HD-SDI: 1080p or 720p @ 30fps HD Analog: CVBS / A_HD / C_VI / T_VI
Power Consumption	DC12V: Max. 1100mA (720mA - no IR during bootup) AC24V: Max. 450mA (270mA - no IR during bootup)
Power Requirement	DC12V / AC24V
Operating Temperature	-40° - 122° F / -40°C - 50°C
Operating Humidity	95% RH Max.
Weather Rating	IP68
IR LEDs	4 High Intensity IR LEDs
Heaters/Fan	N/A
Materials	Aluminum
Dimensions	9.25" (L) x 5.25" (H) / 234.95mm (L) x 133.35mm(H)
Weight	2.35 lbs / 1065.942g

OSD	
DSP Type	EXHD 4MP
Menu Control	OSD Menu Control via CE-REMOTE or UCC*
Zoom Focus	AF Mode, Scanning, OnePush AF, Sync TDN, Lens Reset, Initialize
Exposure	Lens, Shutter, Sens-Up, AGC
White Balance	ATW, AWB, AWC-SET, Manual
Image Adjust	Sharpness, Gamma, Brightness, Saturation, Black Level
Backlight	HLC, BLC, WDR (DOL-WDR or Frame WDR)
Day & Night	Auto, Extern, Color, B&W
DNR (3DNR)	Off, Low, Middle, High
Special	Rotate, D-Zoom, ACE, Defog, Lens Shading, Privacy, Motion
Serial	Cam ID, Baudrate, ID Display
System	SDI Output (EX-SDI 4MP / EX-SDI 2.0 / EX-SDI / HD-SDI), Frame Rate, Video System, CVBS Filter, Language, Cam Title, Reset

RVM - Rated Voltage Monitoring	
LED COLOR	STATUS
OFF	Correct Voltage (DC12V / AC24V)
RED - SOLID	Over Voltage: >29 Volts (AC24V)
RED - BLINK	Under Voltage: <10 Volts (DC12V)

ACCESSORIES	
CE-REMOTE	Plug in OSD remote
CE-UCB-POLE	Universal Pole Mount Adapter - White
CE-UCB-CRNR	Universal Pole Mount Adapter - White
CE-UCB-POLEB	Universal Pole Mount Adapter - Black
CE-UCB-CRNRB	Universal Corner Mount Adapter - Black

***CE-REMOTE required for Zoom/Focus Adjustments**

**UCC (Up the Coax Communication) allows camera adjustments (zoom/focus & OSD settings) to be made remotely through a UCC equipped DVR channel.

***RVM (Rated Voltage Monitoring) indicates correct/incorrect voltage at camera with LED indicator light. RVM helps prevent premature camera failure do to under or over-powered cameras.