

## CE-VX1QHDB(B)

4MP EX-SDI 2.0 True D/N Vandal X

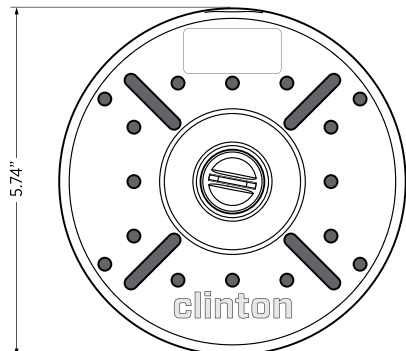
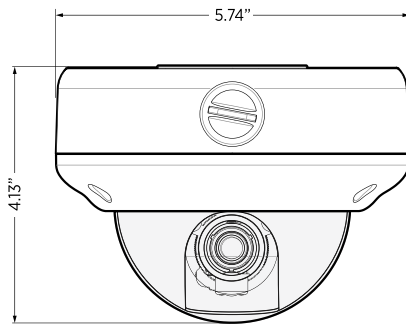


CE-VX1QHDB (Blk)

### KEY FEATURES:

- 1/2.9" SONY Starvis 6.2MP CMOS Sensor (Cropped to 4MP)
- 1440p @ 30fps Over RG59 Coax
- 2.8-12mm (f1.4) True D/N Autofocus Lens
- 4MP EX-SDI 2.0 / 2MP EX-SDI 2.0 & HD-SDI & HD Analog output
- EXHD 2.0 - 4MP DSP
- OSD Menu Control via Built-In Joystick, CE-REMOTE or UCC\*
- DOL-WDR @ 30fps w/ Simultaneous Analog Output
- Mounts to large variety of Conduit Boxes
- RVM\*\* (Rated Voltage Monitoring)
- DC12V/AC24V
- IP68 Weather Rated
- UL Listed

### DIMENSIONS:



BOTTOM VIEW

| CAMERA   |  |
|--|--|
| Image Sensor   | 1/2.9" SONY Starvis 6.2MP CMOS Sensor (Cropped to 4MP)   |
| Resolution   | Full HD 1080p  |
| Effective Pixels   | 2560 (H) x 1440 (V)  |
| Scanning System  | Progressive Scan   |
| S/N Ratio  | More than 52dB (AGC Off)   |
| Frame Rate   | 1440p_30 / 1080p_30 / 720p_30  |
| Minimum Illumination   | 1 Lux (COLOR)<br>0.1 Lux (B&W)   |
| Shutter Speed  | 1/30 - 1/30,000 sec. / AUTO  |
| Lens   | 2.8-12mm (f1.4) Autofocus True D/N Lens  |
| Filed of View  | 71° - 25.7° (Horizontal)   |
| Video Output<br>(4MP / 2MP selectable)<br>(HD Analog selectable) | (4MP) EX-SDI: 1440p @ 30fps<br>(2MP) EX-SDI 2.0 / EX-SDI / HD-SDI: 1080p or 720p @ 30fps<br>HD Analog: CVBS / A_HD / C_VI / T_VI |
| Power Consumption<br>(Max= bootup + autofocus)                   | DC12V: Max. 650mA<br>AC24V: Max. 250mA   |
| Power Requirement  | DC12V / AC24V  |
| Operating Temperature  | -40° - 122° F / -40°C - 50°C   |
| Operating Humidity   | 95% RH Max.  |
| Weather Rating   | IP68   |
| Mounts to Conduit Boxes  | Single Gang, Double Gang, 3/4" & 3/2" Boxes,<br>4" Oct/Rnd/Square Boxes & 4 1/16" Square Boxes                                   |
| IR LEDs  | n/a  |
| Heaters/Fan  | n/a  |
| Materials  | Aluminum Case w/Polycarbonate Dome   |
| Dimensions   | 5.74" (Dia.) x 4.13" (H) / 145.8mm (Dia.) x 104.9mm (H)  |
| Weight   | 1.5 lbs / 680.38g  |

| OSD           |  |
|---------------|--|
| DSP Type      | EXHD 4MP   |
| Menu Control  | OSD Menu Control via built-in joystick, CE-REMOTE or UCC*  |
| Zoom Focus    | AF Mode, Scanning, OnePush AF, Sync TDN, Lens Reset, Initialize  |
| Exposure      | Lens, Shutter, Sens-Up, AGC  |
| White Balance | ATW, AWB, AWC-SET, Manual  |
| Image Adjust  | Sharpness, Gamma, Brightness, Saturation, Black Level  |
| Backlight     | HLC, BLC, WDR (DOL-WDR or Frame WDR)   |
| Day & Night   | Auto, Extern, Color, B&W   |
| DNR (3DNR)    | Off, Low, Middle, High   |
| Special       | Rotate, D-Zoom, ACE, Defog, Lens Shading, Privacy, Motion  |
| Serial        | Cam ID, Baudrate, ID Display   |
| System        | SDI Output (EX-SDI 4MP / EX-SDI 2.0 / EX-SDI / HD-SDI),<br>Frame Rate, Video System, CVBS Filter, Language, Cam Title, Reset |

| RVM - Rated Voltage Monitoring |                                  |
|--------------------------------|----------------------------------|
| LED COLOR                      | STATUS                           |
| GREEN                          | Correct Voltage (DC12V / AC24V)  |
| RED - SOLID                    | Over Voltage: >29 Volts (AC24V)  |
| RED - BLINK                    | Under Voltage: <10 Volts (DC12V) |

| ACCESSORIES  |   |
|--------------|---|
| CE-REMOTE    | Plug in OSD remote                                    |
| CE-VXWB(B)   | Wall Bracket (White or Black)                         |
| CE-VXAP(B)   | Adapter Plate for Wall Bracket                        |
| CE-VXDC(B)   | Deep Case. Additional 1.1" of space. (White or Black) |
| CE-VXPC      | Pendant Cap. Mounts to poles or conduit.              |
| CE-VXDPC     | Deep Pendant Cap. Additional 1.1" of space.           |
| CE-VXRM(B)   | Recess Mount (White or Black)                         |
| CE-UCB-POLE  | Universal Pole Mount Adapter - White                  |
| CE-UCB-CRNR  | Universal Pole Mount Adapter - White                  |
| CE-UCB-POLEB | Universal Pole Mount Adapter - Black                  |
| CE-UCB-CRNRB | Universal Corner Mount Adapter - Black                |

\*UCC (Up the Coax Communication) allows camera adjustments (zoom/focus & OSD settings) to be made remotely through a UCC equipped DVR channel.

\*\*RVM (Rated Voltage Monitoring) indicates correct/incorrect voltage at camera with LED indicator light. RVM helps prevent premature camera failure do to under or over-powered cameras.