

CE-B10HDL

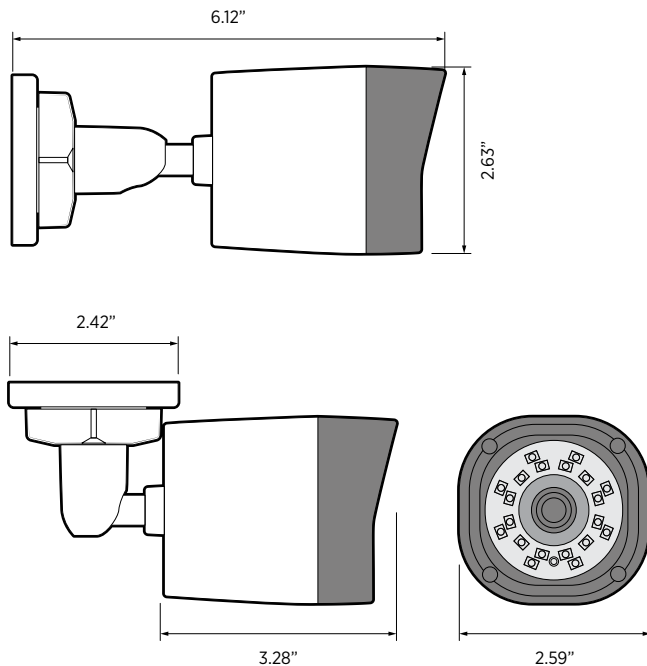
EX-SDI Outdoor IR Mini Zoom Bullet



KEY FEATURES:

- 1/2.8" SONY Starvis 2.13 Megapixel CMOS Sensor
- 1080p @ 30fps Over RG59 Coax
- 2.8-8mm (f1.6) True D/N Autofocus Lens
- 20 IR LEDs
- EX-SDI 2.0 / HD-SDI & Analog outputs
- EXHD Lite 2.0
- OSD Menu Control via Built-in Joystick (on cable)
- IP66 Weather Rated
- DC12V

DIMENSIONS:



CAMERA	
Image Sensor	1/2.8" SONY Starvis 2.13 Megapixel CMOS Sensor
Resolution	Full HD 1080p
Effective Pixels	1944 (H) x 1092 (V)
Scanning System	Progressive Scan
S/N Ratio	More than 52dB (AGC Off)
Frame Rate	1080p_30 / 720p_30
Minimum Illumination	0.001 Lux
Shutter Speed	1/30 - 1/60,000 sec. / AUTO
Lens	2.8-8mm (f1.4) Autofocus Lens
Filed of View	95° - 47.2° (Horizontal)
Video Output	1 EX-SDI 2.0 / HD-SDI Output, 1 Analog (960H) Output
Power Consumption	700mA ±10% max. (DC12V)
Power Requirement	DC12V
Operating Temperature	-20°F - 122°F / -28°C - 50°C
Operating Humidity	90% RH Max.
Weather Rating	IP66
IR LEDs	20 IR LEDs
Heaters/Fan	n/a
Materials	Aluminum Housing & Bracket
Dimensions (straight)	6.12" x 2.63" x 2.59" / 155.5mm x 67mm x 66mm
Weight	0.85 lbs / 385g

OSD	
DSP Type	EXHD - Lite 2.0
Menu Control	OSD Menu Control via Built-in Joystick (on cable)
Exposure	Brightness, Shutter, Sens-Up, AGC
Sens-Up	Auto (x2 - x32)
White Balance	AWB, ATW, AWC-Set, Manual
Digital Dynamic Range	WDR (Digital), ACE (Adaptive Color Enhancement)
Backlight Control	HLC, BLC
Day/Night	Auto, Color, B/W, External
Noise Reduction	3DNR (Low, Middle, High)
Smart IR	Anti-Sat
Camera Title/ID	Yes (Up to 8 Characters)
Motion Detection	4 Areas
Privacy Masking	24 Zones (16 Box / 8 Polygon)
Digital Effects	Mirror, Flip, Defog
Mode Select	HD-SDI, EX-SDI, EX-SDI 2.0
Frame Rate	720p (30 fps), 1080p (30 fps)
Languages	English, Japanese, Chinese, Korean
Other	Sharpness, Color Gain, Gamma, COM. (Cam ID / Baud Rate), Freq (50Hz / 60Hz), Shading, CVBS Filter